

# GENERAL PURPOSE SOLENOID VALVE

## DIRECT, NC, AUTO-RESET (230V AC)

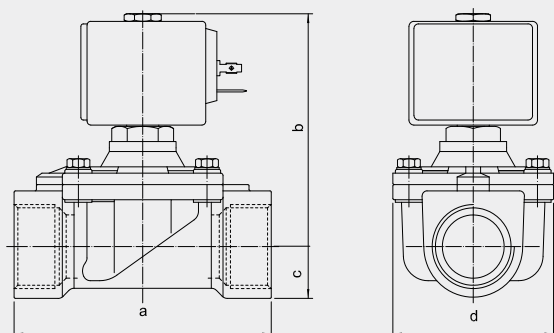


Image for illustration purposes only.

### | OVERVIEW |

This general purpose solenoid valve is suitable for a wide range of media including Air, Water, and Light Oils (up to 25 centistokes). Due to the direct acting lift mechanism this valve can operate with a zero pressure differential.

When used with a Flamefast BoilerGuard this can be used to provide a complete and cost effective safety system for isolating fuel oil supplies to plant.



### TECHNICAL SPECIFICATION

Power Supply	230VAC 50Hz
Power Consumption	25W
Max Pressure	15Bar (<=1") / 5Bar (>1")
Media Temp	-10°C ~ 80°C
Connection	BSP
Body Material	Brass
Internal Material	Brass & Stainless Steel
Seal Material	Nitrile
IP Rating	IP65
Approval	CE, UKCA

### PART NUMBERS & COMMON ACCESSORIES

PART NO		DESCRIPTION
OV15	½"	General Purpose Solenoid Valve (230V)
OV20	¾"	General Purpose Solenoid Valve (230V)
OV25	1"	General Purpose Solenoid Valve (230V)
OV32	1¼"	General Purpose Solenoid Valve (230V)
OV40	1½"	General Purpose Solenoid Valve (230V)
OV50	2"	General Purpose Solenoid Valve (230V)
OV15-24A	½"	General Purpose Solenoid Valve (24V AC)
OV20-24A	¾"	General Purpose Solenoid Valve (24V AC)
OV25-24A	1"	General Purpose Solenoid Valve (24V AC)
OV32-24A	1¼"	General Purpose Solenoid Valve (24V AC)
OV40-24A	1½"	General Purpose Solenoid Valve (24V AC)
OV50-24A	2"	General Purpose Solenoid Valve (24V AC)
OV15-24D	½"	General Purpose Solenoid Valve (24V DC)
OV20-24D	¾"	General Purpose Solenoid Valve (24V DC)
OV25-24D	1"	General Purpose Solenoid Valve (24V DC)
OV32-24D	1¼"	General Purpose Solenoid Valve (24V DC)
OV40-24D	1½"	General Purpose Solenoid Valve (24V DC)
OV50-24D	2"	General Purpose Solenoid Valve (24V DC)

PART NUMBER	SIZE (NPT)	ORIFICE (mm)	FLOW FACTOR Cv (gpm)	OPERATING PRESSURE DIFF.		NOMINAL POWER		OVERALL DIMENSIONS (ex CABLE)				
				MIN (Bar)	MAX (Bar)	AC Inrush (W)	DC (W)	a	b	c	d	Weight
								(mm)	(mm)	(mm)	(mm)	(Kg)
OV15	½	16	2.77	0	14	10	27	70	84	20	50	0.76
OV20	¾	20	8.32	0	16	10	27	104	84	24	65	0.76
OV25	1	25	9.71	0	16	10	27	104	87	35	65	1.00
OV32	1¼	35	18.7	0	16	10	27	128	100	32	94	2.55
OV40	1½	40	19.4	0	16	10	27	128	100	32	94	2.43